



**Electrical Characteristics**

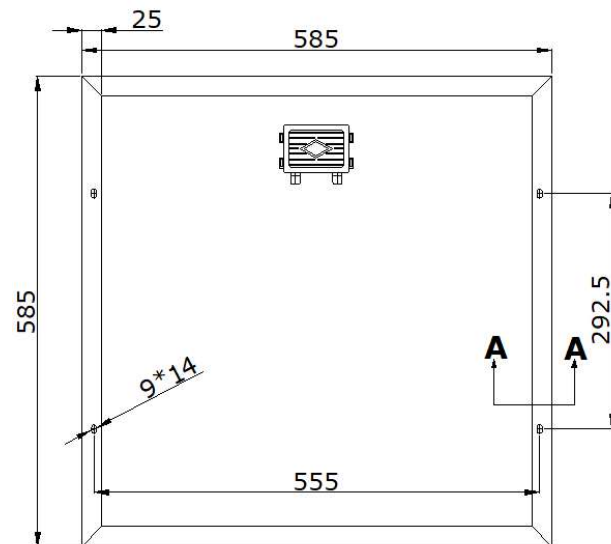
**SM60M-12**

Maximum power at STC (Pmax)	60W
Optimum operating voltage (Vmp)	17.0V
Optimum operating current (Imp)	3.5A
Open-circuit voltage (Voc)	20.4V
Short-circuit current (Isc)	3.8A
Short-circuit current temperature coefficient	(0.065±0.015)%/°C
Open-circuit voltage temperature coefficient	-(80±10)mV/C
Peak power temperature coefficient	-(0.5±0.05)%/C
NOCT (Air 20□; Sun 0.8kW/m wind 1m/s)	47±2C
Operating temperature	-40C to 85C
Maximum system voltage	1000V DC
Power tolerance	±3%
STC: Irradiance 1000W/m <sup>2</sup> , Module temperature 25C, AM=1.5	

**Features**

- Nominal 12V DC for standard output.
- High efficiency.
- Outstanding low-light performance.
- High transmission tempered glass.
- Rugged design to withstands high wind pressure and snow load, easy installation.
- Aesthetic appearance.
- Design to meet unique demand of customer.
- 10 year module output warranty.

**Dimension**



**Specification**

**SM60M-12**

Cell	Mono-crystalline silicon solar cells
No. of cell and connection	30 (3×10)
Dimension of module	585mm×585mm×30mm
Weight	3.6 kg

Specifications are subject to change without notice at any time.